


PRODUCT SHEET

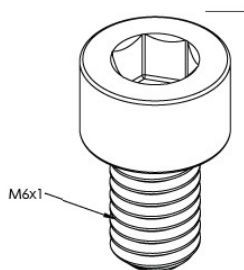
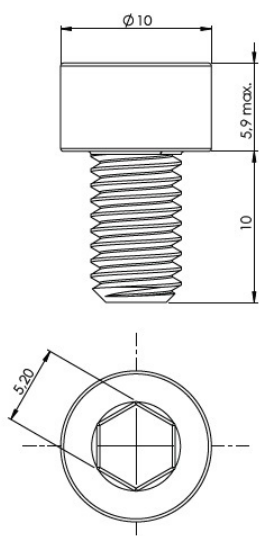
Description:

Screw Set F/Support Leg 22.23.147 (2 Male & 2 Female) SS304

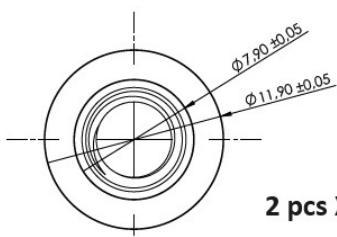
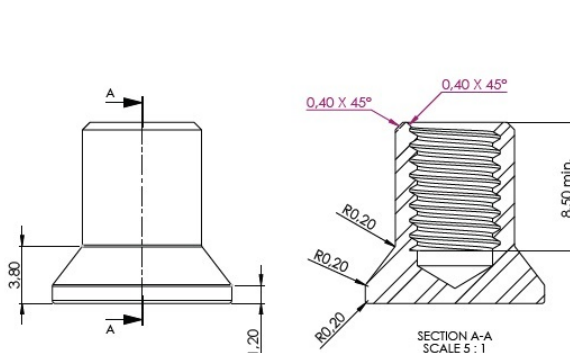
Item number:

22.23.147-5

Units	Box	Carton	HS Code	Barcode
Set			7318155290	 5704866517133



2 pcs X



2 pcs X

